

DESCRIPTION

- SMD LED technology for indoor installation.
- Hours and minutes display.
- Fixed or alternate time with date or week number display or temperature (probe integrated to the clock).
- Height of digits 10 cm, optimal viewing distance: 40 metres.
- Angle of vision: 120°.
- LED colours: red, green, yellow, blue and white.
- Models: independent, impulse, wireless DCF, wireless DHF, AFNOR, NTP/ETH and NTP/Wi-Fi.



STANDARDS

- EMC: EN55032, EN55024.
- LVD: EN62368-1.
- RED (radio models): EN301-489-3.
- IEEE 802.11 b/g (NTP/Wi-Fi model)

GENERAL FEATURES

- **Adjustable brightness**..... 4 levels.
- **Display mode**..... 12 or 24 hour.
- **Eco mode**..... Programmable energy saving or predefined over a time period.
- **Time change**..... Automatic summer/winter time changeover and perpetual calendar.
- **Time base backup**.....
 - Independent model: 15 days in case of power failure.
 - Impulse model: in case of power failure, data saving and impulses reception without battery.
 - Synchronised models: at each start the clocks wait for the synchronisation signal.
- **Time accuracy**..... 0.2 second/day (except NTP model: precision dependent on the time server).
- **Operation**..... Silent.
- **Digit**..... 7 segments with 5 LEDs each.
- **Hours and minutes separating**..... Colon made of LEDs.
- **Configuration**..... 2 capacitive buttons.
- **NTP/ETH and NTP/Wi-Fi models**.....
 - Synchronisation unicast, multicast and by DHCP.
 - Advanced configuration from the embedded web server.

MECHANICAL FEATURES

- **Construction**..... ABS/PMMA black (IP30, IK02) and PMMA (poly methyl methacrylate) cristal.
- **Operating temperature range**..... -5 to +55°C.
- **Weight**..... 2.1 Kg.
- **Dimensions**..... See on the back.

ELECTRICAL FEATURES

- **Power supply**.....
 - Independent, impulse, AFNOR, DHF and NTP/Wi-Fi models: 100-240VAC.
 - Wireless DCF model: 230VAC.
 - NTP/ETH model: PoE (Power over Ethernet) – class 0.
- **Consumption (max)**.....
 - 100-240 VAC ; 250-150 mA.
 - 230 VAC ; 60 mA.
 - NTP/ETH receiver ; 4.8 W (red, green, yellow) ; 1.9 W (blue, white).
- **Electric protection**.....
 - NTP/ETH model: Class 3.
 - Other Synchronisations: Class 2.

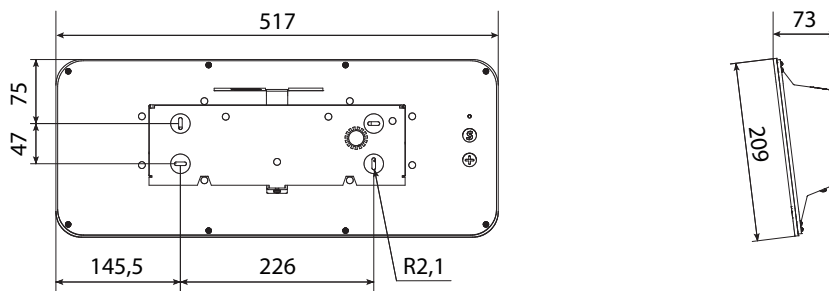
STYLE 10 REFERENCES (BY SYNCHRONISATION)

- | | |
|--|---|
| • 946 71x Independent model | • 946 78x NTP/Wi-Fi model |
| • 946 72x Impulse model | • 946 005 Double sided hanging bracket |
| • 946 73x DCF model | • 946 006 Single sided hanging bracket |
| • 946 74x DHF model | |
| • 946 75x AFNOR model | |
| • 946 77x NTP/ETH model | |
- Specify the LED colour by replacing the "x" in the reference number by: 1: red - 2: green - 3: yellow - 4: blue - 5: white



WALL MOUNTING

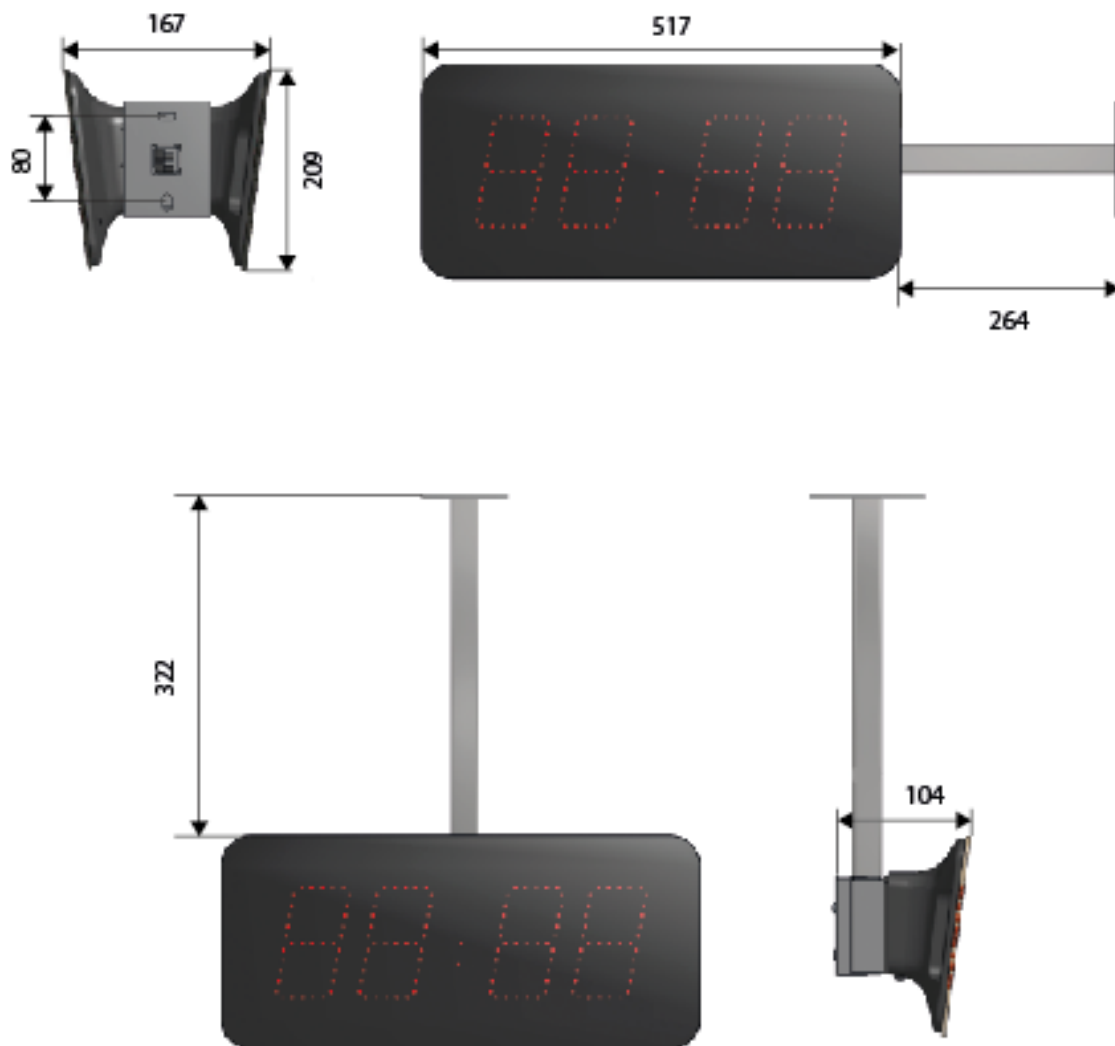
Dimensions in mm



MOUNTING ON HANGING BRACKET

- The hanging bracket makes possible to hang the clock from the ceiling or from the wall.
- Construction: Steel.
- Colour: Black.

Dimensions in mm



DESCRIPTION

- Style 10 flush mounting digital clock having the same electronics and the same operation than the normal version except for the temperature. However the mechanics are different to allow for flush mounting in a wall.
- LED colour: red.
- Models: independent, impulse, wireless DHF*, AFNOR and NTP/ETH.

FLUSH MOUNT VERSION



GENERAL FEATURES

- Same as Style 10 normal version (see page 1).

MECHANICAL FEATURES

- **Construction**..... Black steel (IP30, IK02) and PMMA (poly methyl methacrylate) cristal.
- **Operating temperature range**..... 0 to +50°C.
- **Weight**..... 1.220 kg (NTP : 1.180 kg).
- **Dimensions**..... See next page.

ELECTRICAL FEATURES

- Same as Style 10 normal version (see page 1).

STYLE RECESSED 10 REFERENCES (BY SYNCHRONISATION)

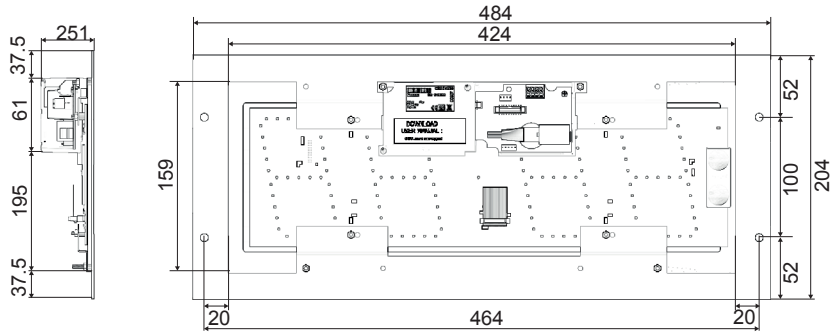
- 946 711 F..... Independent model
- 946 721 F..... Impulse model
- 946 741 F..... DHF model*
- 946 751 F..... AFNOR model
- 946 771 F..... NTP/ETH model
- 946 017..... Back cover for flush mounting

* Flush mounting is possible but not in metallic partition or equivalent which would perturb the reception of radio signal.

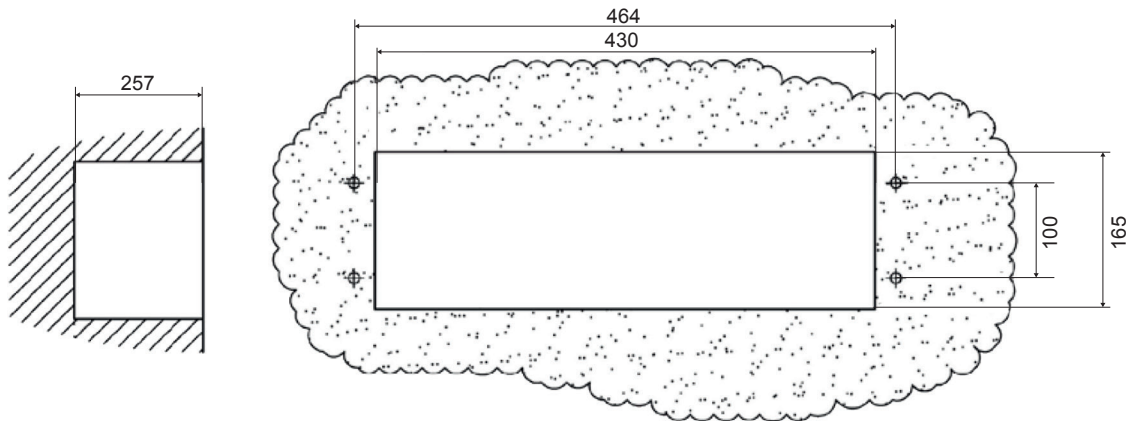
DIMENSIONS

Dimensions in mm

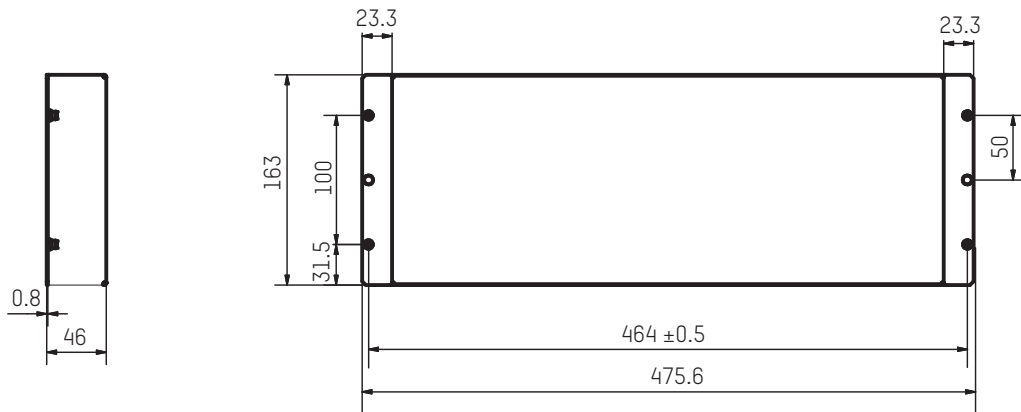
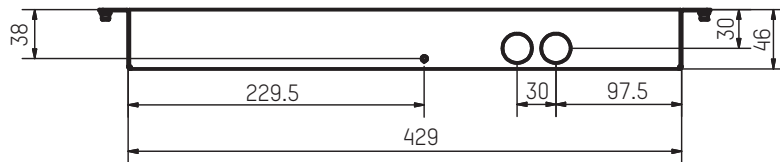
Clock



Size



Flush mounting back cover



DESCRIPTION

- Style 10 waterproof digital clock having the same electronics and the same operation than the normal version. However the mechanics are different to allow for an IP55 Ingress protection rating.
- LED colours: red.
- Models: independent, impulse, DHF, AFNOR and NTP/ETH.

WATERPROOF VERSION



GENERAL FEATURES

- Same as Style 10 normal version (see page 1).

MECHANICAL FEATURES

- Same as Style 10 normal version (see page 1).
- In order to guarantee an IP55 Ingress Protection, the grommets are waterproof and silicon seals are installed between the bracket and the clock casing.

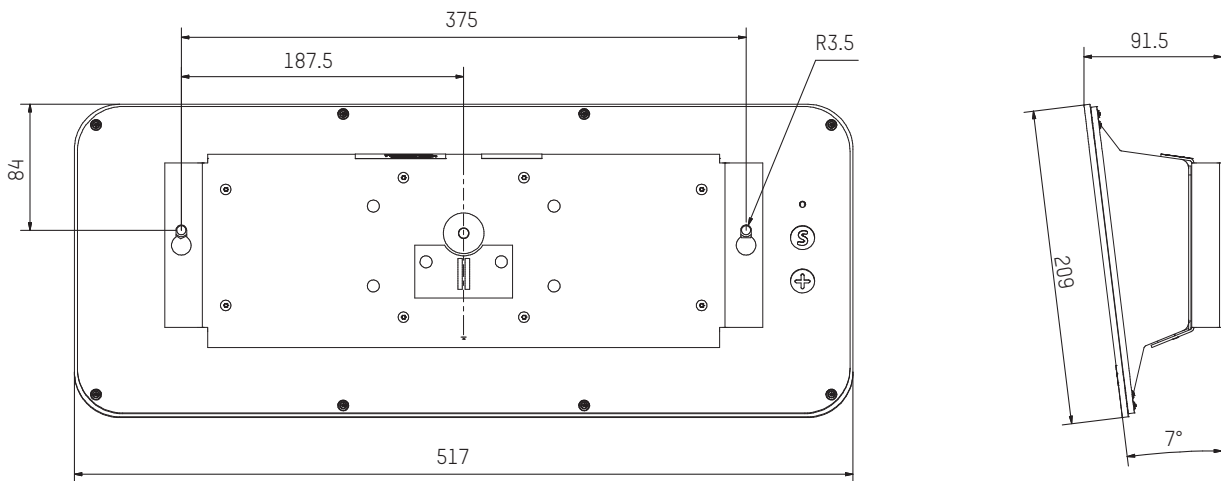
ELECTRICAL FEATURES

- Same as Style 10 normal version (see page 1).

DIMENSIONS

- Dimensions for wall mounting:

Dimensions in mm



STYLE 10 WATERPROOF REFERENCES (BY SYNCHRONISATION)

- 946 711 A..... Independent model
- 946 721 A..... Impulse model
- 946 741 A..... DHF model
- 946 751 A..... AFNOR model
- 946 771 A..... NTP/ETH model